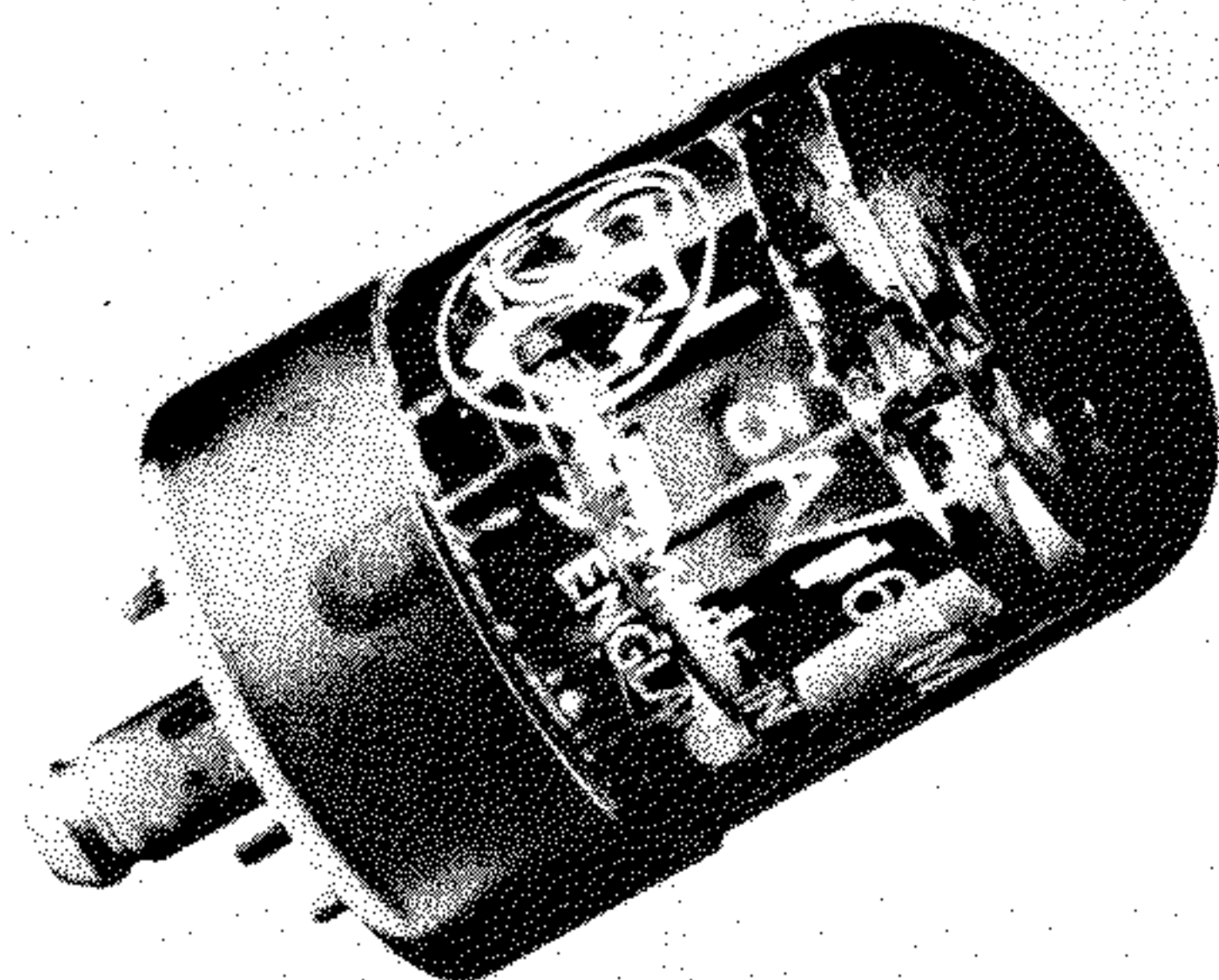




3A/167M



REPEATER TRIODE

GENERAL INFORMATION

This is an indirectly-heated single-ended triode developed for use in wide band amplifier applications. It has a very high mutual conductance and is identical with the American type 437A.

CATHODE: Indirectly-heated, oxide coated.

MOUNTING POSITION: Any.

BASE: B8G (Loctal).

WEIGHT: 0.8 oz. approx.

CHARACTERISTICS

Heater Voltage	6.3 volts	Grid Cathode Capacity	11 pF
Heater Current	0.45 ampere	Plate-Cathode Capacity	2.5 pF
Mutual Conductance*	47 mA/volt	Plate-Grid Capacity	4 pF
Impedance*	1,000 ohms		

* At Plate Voltage = 150 volts; Plate Current = 40 milliamperes.





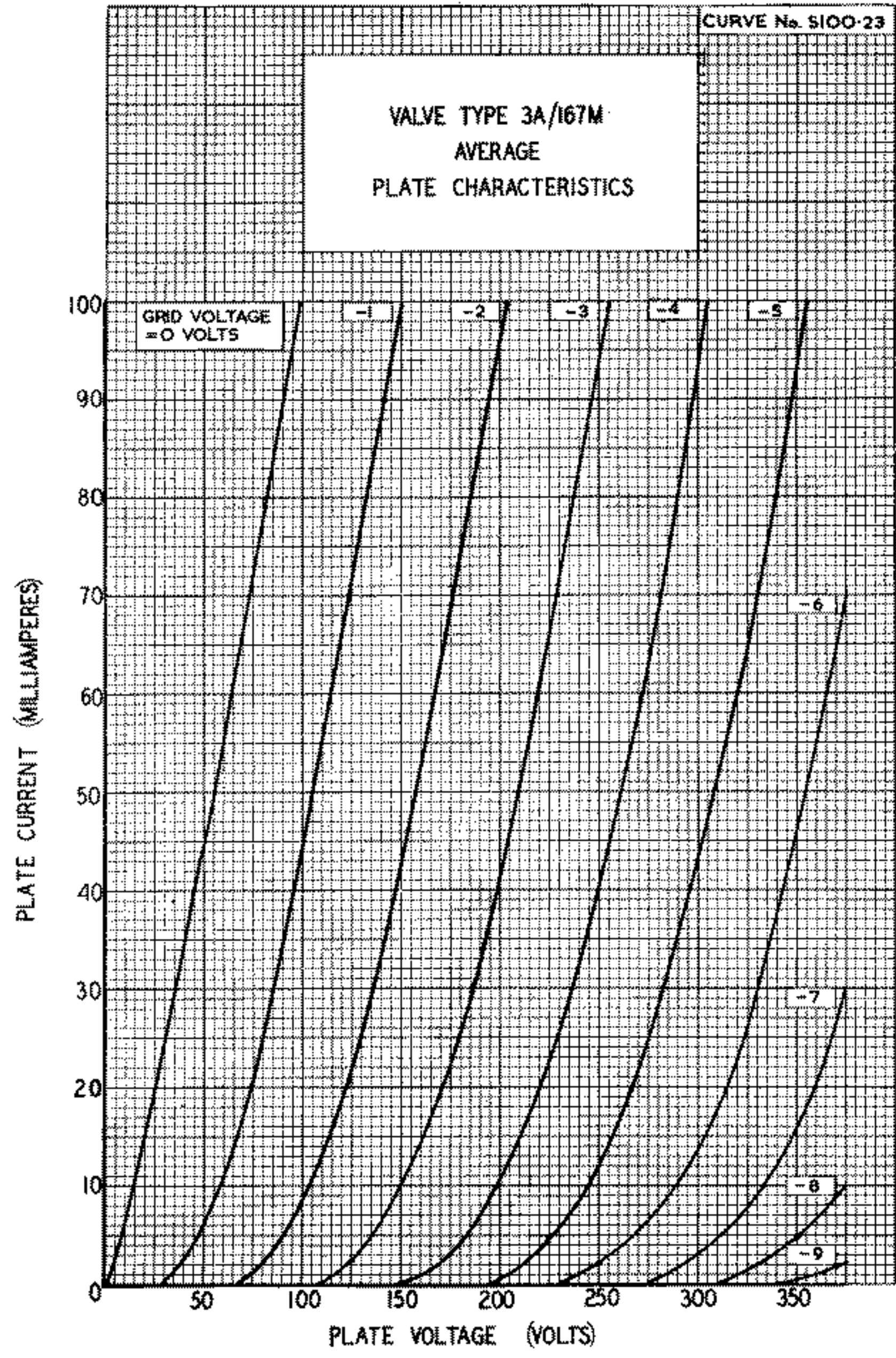
MAXIMUM RATINGS

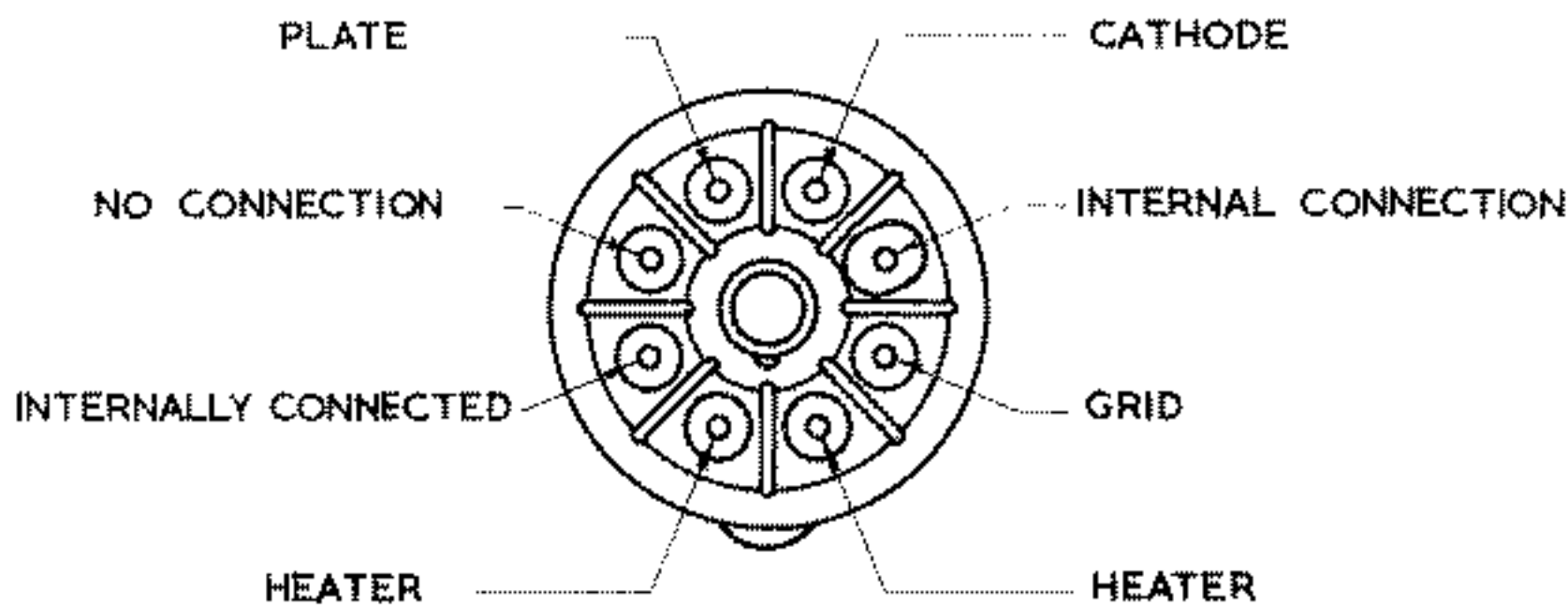
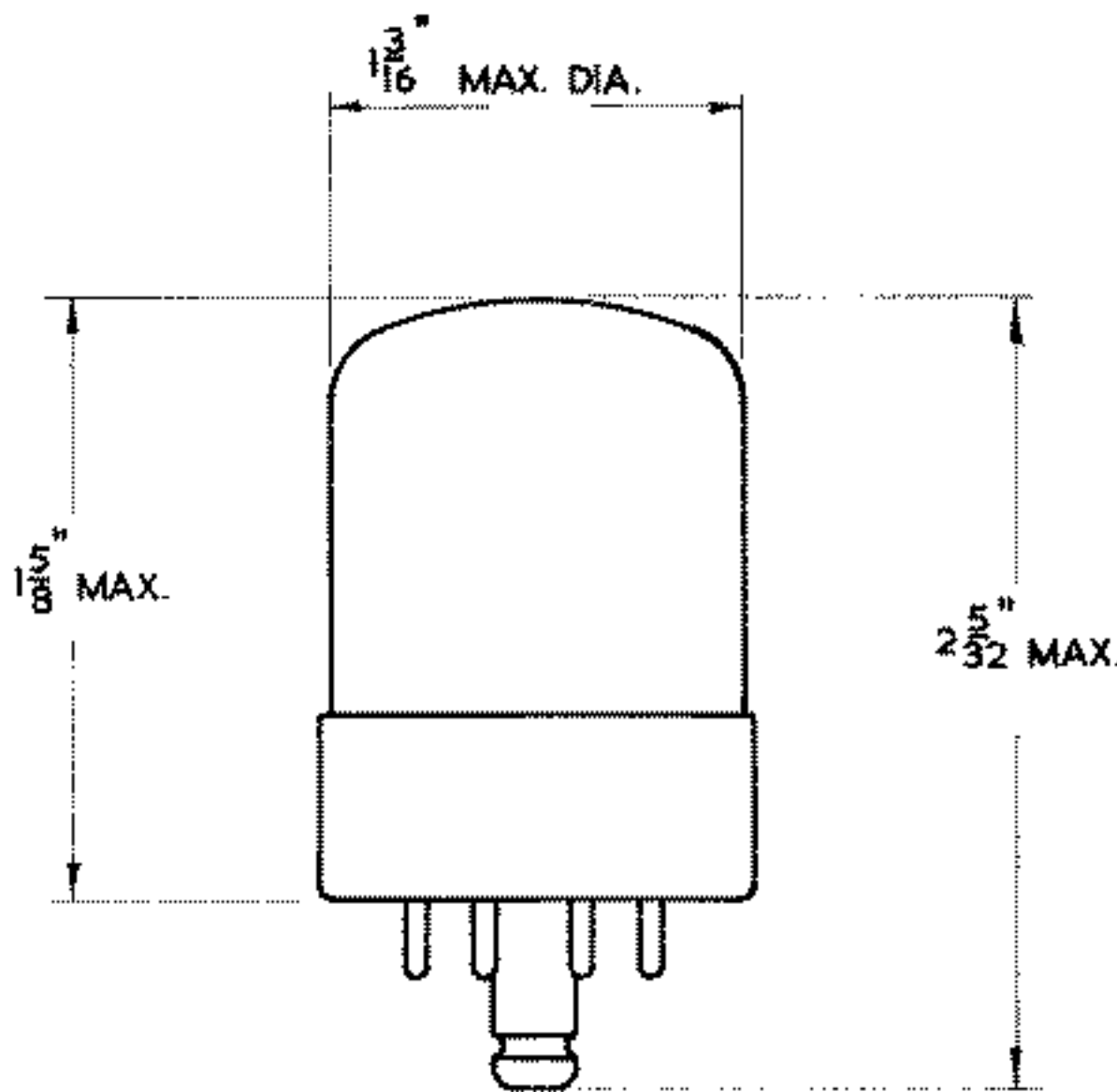
D.C. Plate Voltage	350 volts	max.
D.C. Plate Current	45 milliamperes	..
Plate Dissipation	7 watts	..





3A/167M





AN I.T.&T.
ASSOCIATE